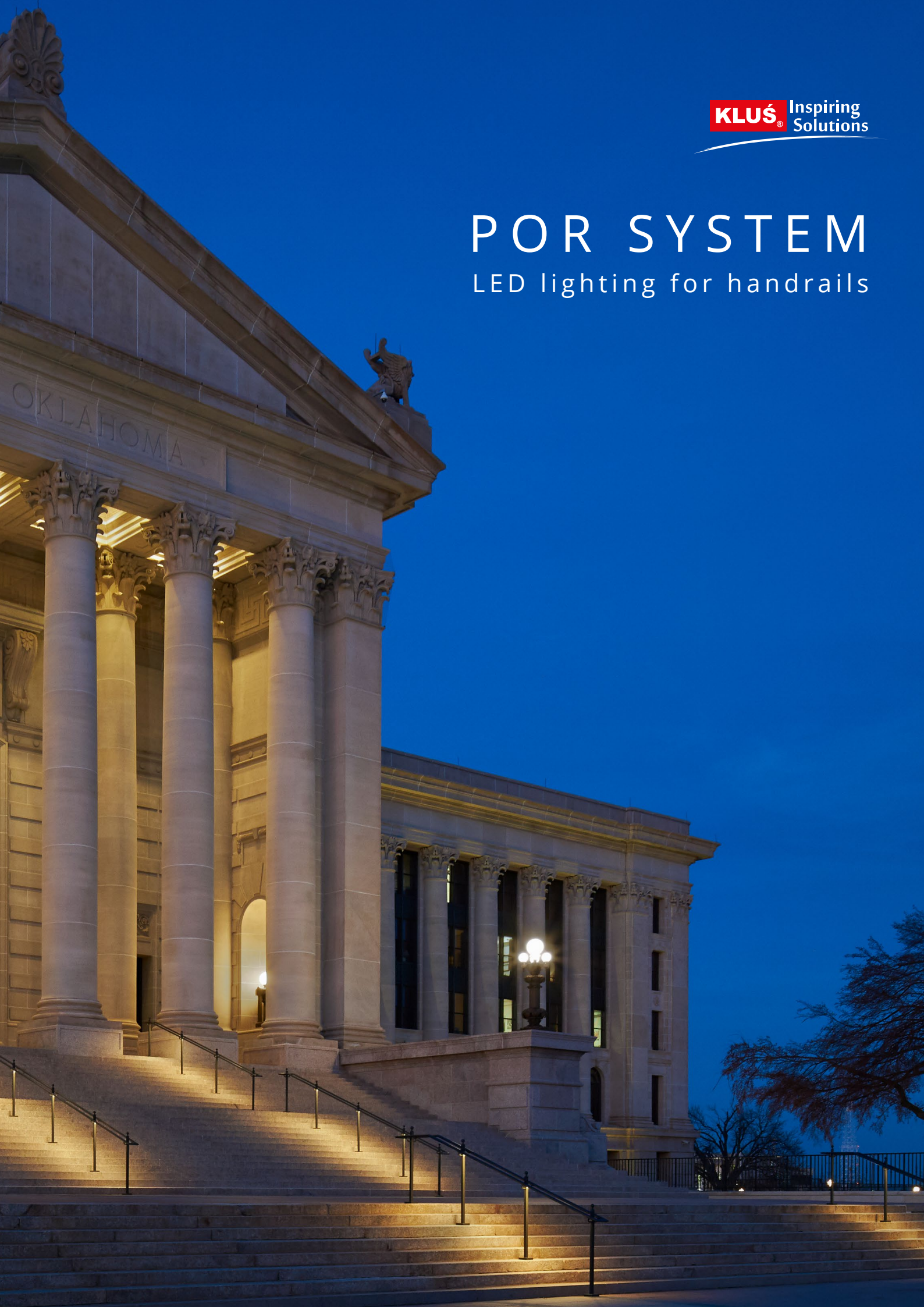


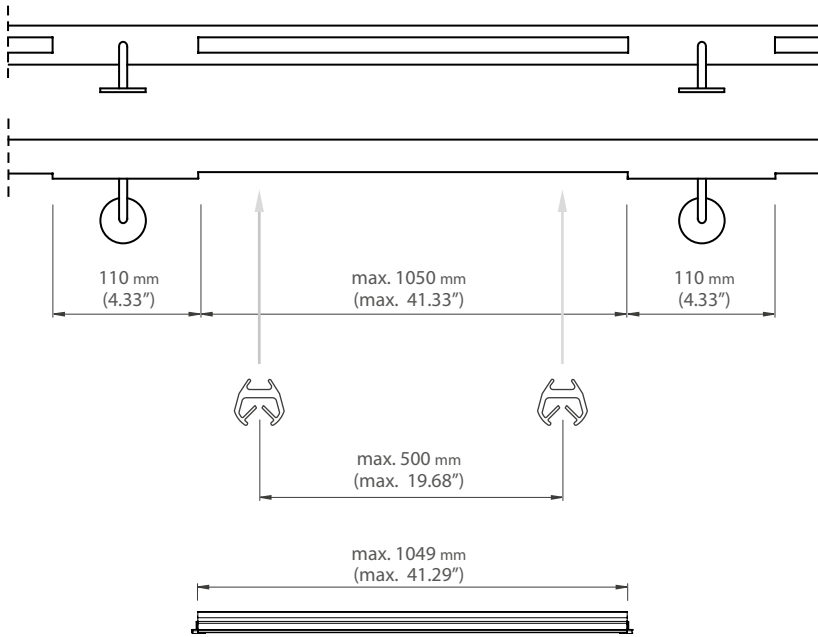
# POR SYSTEM

LED lighting for handrails



# POR

REF. B6144



## accessories



POR Latch  
REF: 24014



POR grey End cap  
REF: 24021



HS Cover clear  
REF: 1370



KA Cover clear  
REF: 17036



LIGER Cover frosted  
REF: 17037



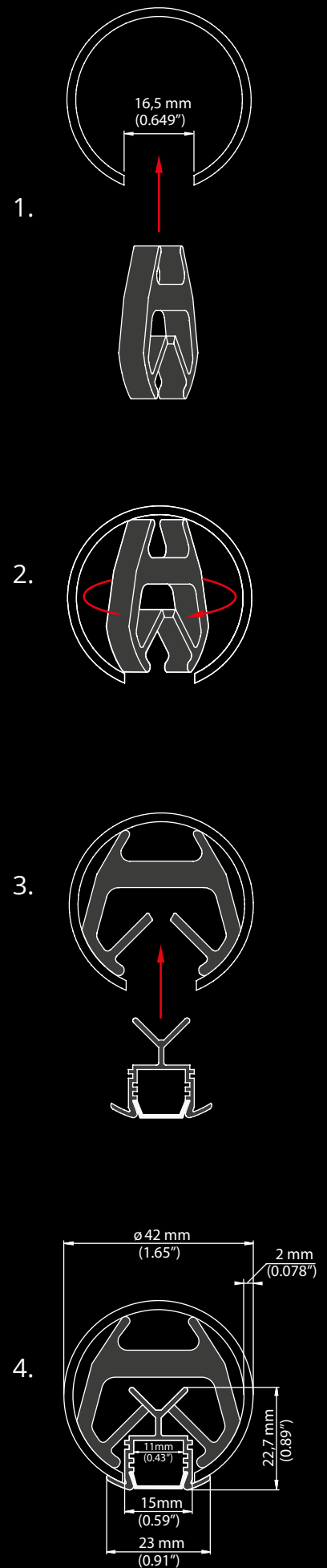
HS Cover frosted  
REF: 1369



KA Cover frosted  
REF: 17035



LIGER Cover black  
REF: 17040



**POR** extrusion is designed to mount LED lighting in handrails and balustrades.  
**Patent Number: US D751,248 S**

- Easy assembly and disassembly by snapping in and out.
- Designed to reach an IP67 waterproof rating.
- Suitable for handrails with a diameter of 1.65" / 42 mm or 1.92" / 49 mm.

#### APPLICATION

- LED lighting in handrails and balustrades, made of stainless, acid-resistant steel or aluminum pipes

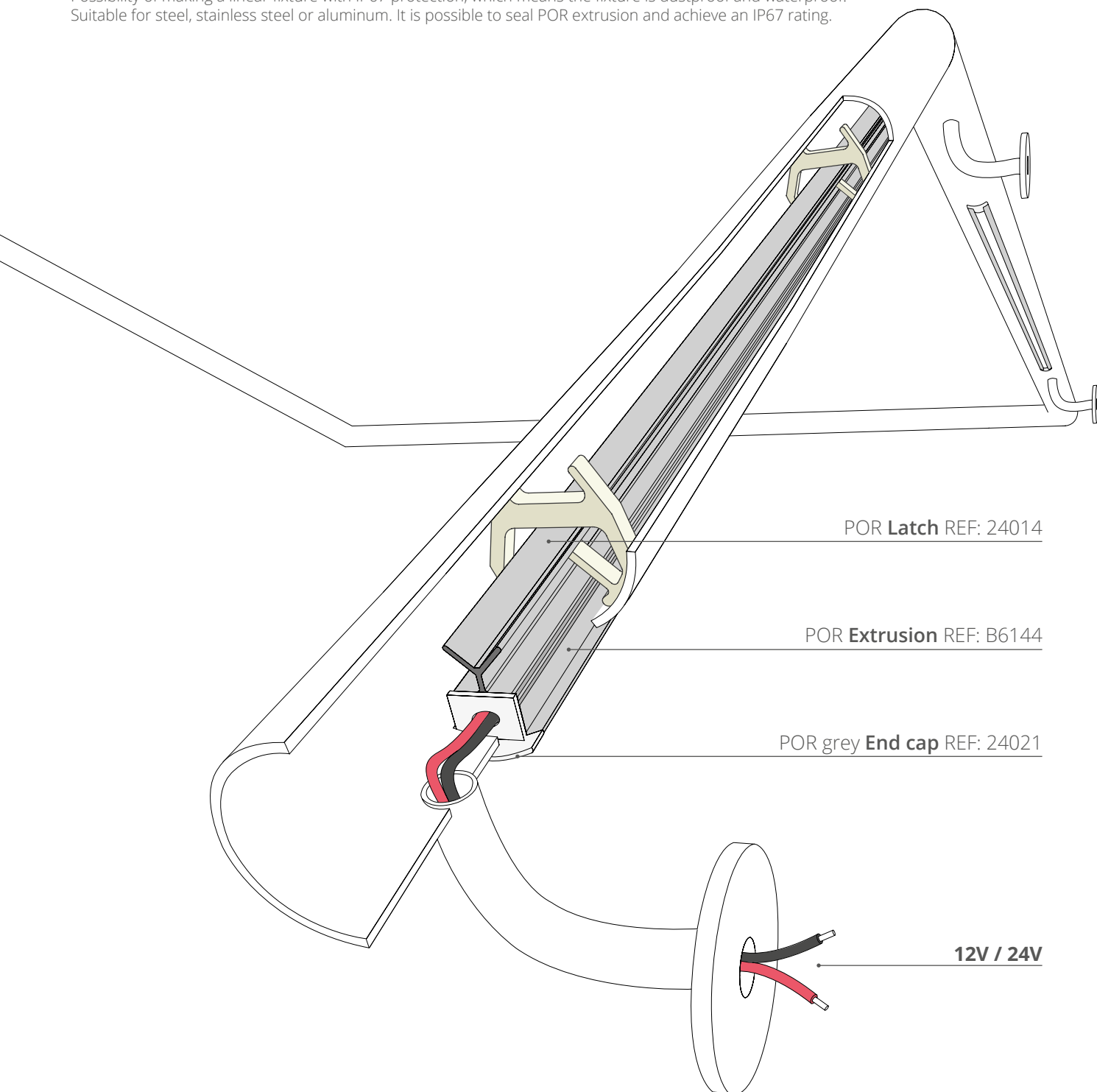
#### MOUNTING

- POR fixture is mounted inside the railing with the use of POR mounting inserts.

#### ADDITIONAL INFORMATION

- two different mounting latches allow mounting the extrusion in handrails with an inner diameter from 1.65" / 41 mm or 1.96" / 50 mm.
- requires a minimum of 2 POR Latches for mounting. Latches need to be ordered separately.
- the extrusion can be sealed to IP67.
- max. length of POR fixture - 41.3" / 105 cm.
- max. Watt/ft - 15W/m (4.6W/F).
- space for LED strip: 0.44" / 11.2 mm.

Possibility of making a linear fixture with IP67 protection, which means the fixture is dustproof and waterproof.  
Suitable for steel, stainless steel or aluminum. It is possible to seal POR extrusion and achieve an IP67 rating.







**KLUS** Inspiring Solutions

**KLUS** USA

673 US Highway 1  
Vero Beach, FL 32962  
USA

[www.KlusDesign.com](http://www.KlusDesign.com)

**Quotes**

[quotations@klusdesign.com](mailto:quotations@klusdesign.com)  
(Tel.) 772 569 6655

**Orders**

[orders@klusdesign.com](mailto:orders@klusdesign.com)  
(Tel.) 772 321 2260

KLUS products are proprietary and protected under U.S. and foreign patent laws. We reserve the right to change and modify our products.

