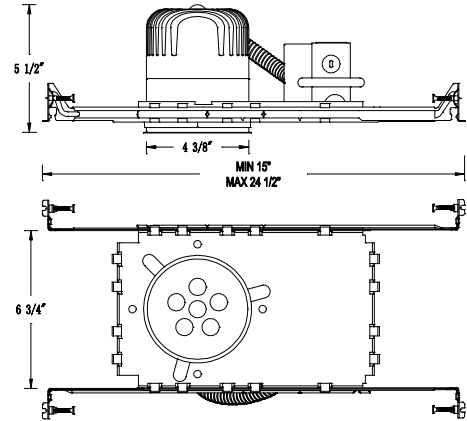


CATALOG NUMBER	TYPE
PROJECT	

4" LEDme™ DOWNLIGHT

HR-LED418-N



Ordering Matrix					
Series	Lamp	Model Number	Installation Type	Options	Color Temperature
HR	LED	418	N = New construction	Non-IC rated	W = 3000K C = 4500K

Ordering Example (series – lamp - model - installation type - color temperature): HR-LED418-N-W

Product Details

Description:	4 inch LED NON-IC new construction housing with 6 LED lamp
Materials:	Die-cast aluminum painted black heat sink. Housing and junction box is 20 gauge steel, Frame and hanger bars are heavy gauge galvanized steel.
J-Box:	Seven knockouts and four non-metallic sheathed cable style wiring connectors provided for ease of installation. Rated for branch wiring.
Driver:	Input Voltage: 120V AC /60Hz, Power Factor > 0.9 Dimming with thermal protection . Load: MAX 18W
Lamping:	Using 6 LED lamps Color Temperature: 3000K 4500K CRI: 80 75
Ratings:	IC rated. Cannot be completely covered with insulation U.L. and C.U.L. listed.
Mounting:	Supplied with hanger bars, adjustable from 12"-24" to accommodate various joist construction and grid sizes. Hanger bars include a captive mounting "screw-nail" for ease of installation.

Specification Features

<ul style="list-style-type: none"> Provides 70% average lumen maintenance at 50,000 hrs. Provided with Push-in wire connector for easy installation. Accommodate up to a 3/4" ceiling thickness. Dimming range from 100% to 1%. ANSI compliant Warm/Neutral LEDs. 35° Visual cut off angle. Replacement modules Far more resistant to vibration than incandescent or fluorescent downlights. 5 year WAC Lighting product warranty. 				
<p>Approved dimmer</p> <table border="0"> <tr> <td>Lutron</td> <td>Leviton</td> </tr> <tr> <td>SELV-300P-WH</td> <td>VPE04</td> </tr> </table>	Lutron	Leviton	SELV-300P-WH	VPE04
Lutron	Leviton			
SELV-300P-WH	VPE04			

Compatible Trims (Sold Separately):

HR-LED411 Open Reflector Round Trim

Finish	Interior	Trim
BK/WT	Black	White
BKBN	Black	Brushed Nickel
WT/WT	White	White



HR-LED421 Step Baffle Trim

Finish	Interior	Trim
BK/WT	Black	White
BKBN	Black	Brushed Nickel
WT/WT	White	White



HR-LED431 Shower Trim

Finish	Interior	Trim
WT	NA	White
CH	NA	Chrome



HR-LED451 Square Open Trim

Finish	Interior	Trim
BK/WT	Black	White
BK/BN	Black	Brushed Nickel
WT/WT	White	White



HR-LED471 Square Shower Trim

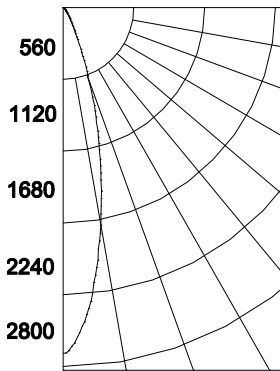
Finish	Interior	Trim
WT	NA	White
CH	NA	Chrome



Photometry

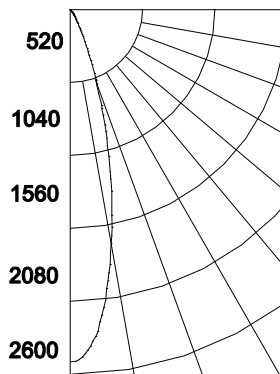
18W 4500K OPEN TRIM

Candlepower Distribution



ANGLE	MEAN CP	LUMENS
0	2723	0
5	2517	59
10	1949	142
15	1343	163
20	800	138
25	395	89
30	183	49
35	87	28
40	46	16
45	29	11
50	19	8
55	15	7
60	13	6
65	11	5
70	8	4
75	6	3
80	4	2
85	2	1
90	0	1

18W 3000K OPEN TRIM

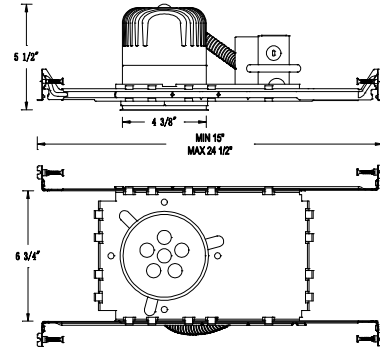


ANGLE	MEAN CP	LUMENS
0	2512	0
5	2301	56
10	1694	132
15	1082	147
20	560	115
25	252	69
30	102	37
35	53	21
40	32	12
45	20	9
50	12	6
55	11	5
60	10	5
65	8	4
70	6	3
75	4	3
80	3	2
85	2	1
90	0	0

CATALOG NUMBER	TYPE
PROJECT	

4" LED DOWNLIGHT

HR-LED418-NIC



Ordering Matrix					
Series	Lamp	Model Number	Installation Type	Options	Color Temperature
HR	LED	418	N = New construction	IC rated	W = 3000K C = 4500K

Ordering Example (series – lamp - model - installation type & options - color temperature): HR-LED418-NIC-W

Product Details	
Description:	4 inch LED IC new construction housing with 6 LED lamp
Materials:	Die-cast aluminum painted black heat sink. Housing and junction box is 20 gauge steel, Frame and hanger bars are heavy gauge galvanized steel.
J-Box:	Seven knockouts and four non-metallic sheathed cable style wiring connectors provided for ease of installation. Rated for branch wiring.
Driver:	Input Voltage: 120V AC /60Hz, Power Factor > 0.9 Dimming with thermal protection . Load: MAX 11W
Lamping:	6 LED lamps Color Temperature: 3000K 4500K CRI: 80 75
Ratings:	IC rated. Can be completely covered with insulation U.L. and C.U.L. listed.
Mounting:	Supplied with hanger bars, adjustable from 12"-24" to accommodate various joist construction and grid sizes. Hanger bars include a captive mounting "screw-nail" for ease of installation.

Specification Features	
<ul style="list-style-type: none"> Provides 70% average lumen maintenance at 50,000 hrs. Provided with Push-in wire connector for easy installation. Accommodate up to a 3/4" ceiling thickness. Dimming range from 100% to 1%. ANSI compliant Warm/Neutral LEDs. 35° Visual cut off angle. Replacement modules Far more resistant to vibration than incandescent or fluorescent downlights. 5 year WAC Lighting product warranty. 	
Approved dimmer	
Lutron	Leviton
SELV-300P-WH	VPE04

Compatible Trims (Sold Separately):

HR-LED411 Open Reflector Round Trim

Finish	Interior	Trim
BK/WT	Black	White
BKBN	Black	Brushed Nickel
WT/WT	White	White



HR-LED421 Step Baffle Trim

Finish	Interior	Trim
BK/WT	Black	White
BKBN	Black	Brushed Nickel
WT/WT	White	White



HR-LED431 Shower Trim

Finish	Interior	Trim
WT	NA	White
CH	NA	Chrome



HR-LED451 Square Open Reflector Trim

Finish	Interior	Trim
BK/WT	Black	White
BK/BN	Black	Brushed Nickel
WT/WT	White	White



HR-LED471 Square Shower Trim

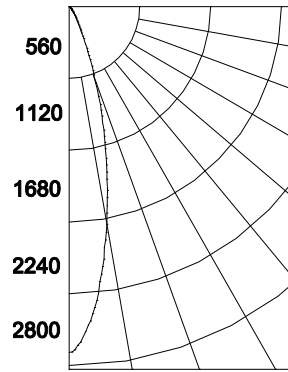
Finish	Interior	Trim
WT	NA	White
CH	NA	Chrome



Photometry

11W 4500K OPEN TRIM

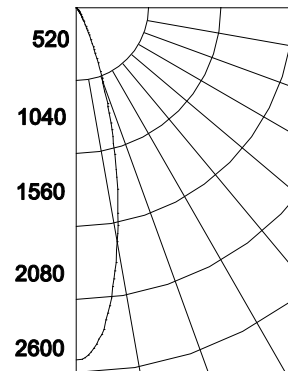
Candlepower Distribution



ANGLE	MEAN CP	LUMENS
0	2010	0
5	1829	44
10	1408	105
15	1000	122
20	576	103
25	304	68
30	142	38
35	64	22
40	35	12
45	23	8
50	14	6
55	12	6
60	10	5
65	8	4
70	6	3
75	5	3
80	3	2
85	2	1
90	0	0

11W 3000K OPEN TRIM

Candlepower Distribution



ANGLE	MEAN CP	LUMENS
0	1913	0
5	1700	42
10	1232	100
15	808	111
20	433	88
25	202	54
30	82	29
35	42	16
40	25	10
45	17	7
50	10	5
55	9	4
60	8	4
65	6	3
70	5	3
75	3	2
80	2	1
85	1	1
90	0	0