

Type _____
 Project _____
 Catalog No. _____
 Lamp/Wattage _____

**NCE-830 Series
 LED Pendant**

Lamp: 1W-3W LED Source

PRODUCT DESCRIPTION

Stylish LED glass-disk pendant fixture with high lumen output and minimal profile. Pendant features 3000K CCT down light enhanced by glowing edge on glass disk. Glowing effect is created by colored LEDs available in blue, green, red and white. As with all LEDs, there is no projected forward heat and the fixture remains cool to the touch.

FEATURES

- No projected forward head or harmful UV rays
- Slim style profile
- Available in two different wattages, 1W or 3W
- Brushed Nickel and Bronze hardware finishes
- Four different edge-lit colors available
- Available in 24 unique combinations

Construction

Machined aluminum canopy. Die-cast aluminum, heat dissipating plate for LED mounting.

Slim Style

Architectural low profile design with a total diameter of 4-3/4" and less than 1/4" deep.

Electrical

120V input - 12V output, non-dimmable driver located in the canopy.

LED Source

The pendant is available in two different downlight configurations. 1W LED source is created with multiple LED modules with a total load of 1 watt to create a unique design. 3W LED source is created with three 1 watt LED modules with a total load of 3 watts as a dedicated down light.

Cord Length

Standard 8'-6" length is easily field adjustable without cutting or rewiring.

Long Life

50,000 hour potential life at 70% of total lumen output.

Edge-Lit Colors

The thin glass disc is lit with multiple LEDs, available in Blue, Green, Red, and White colors.

Finishes

Fixture hardware is available in Brushed Nickel (BN) and Bronze (BZ) finishes.

Applications

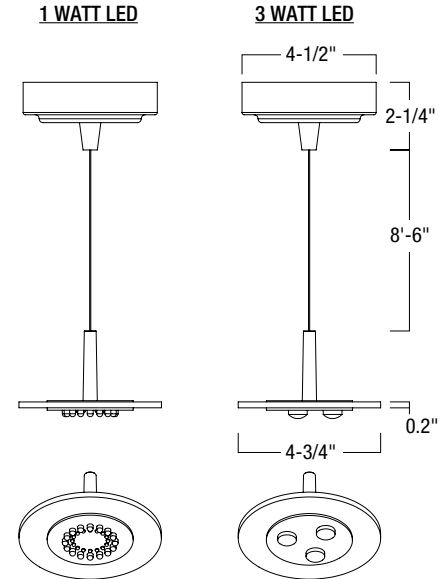
The fixture's modern design makes it an excellent choice for contemporary residential, commercial, hospitality, retail, restaurants, and bar applications.

Labels and Warranty

ETL approved
 Two Year Warranty



DIMENSIONS



Canopy Diameter: 4-1/2"
 Canopy Depth: 2-1/4"
 Cord Length: 8'-6"
 Glass Diameter: 4-3/4"
 Glass Depth: 0.2"

Create a complete track head number: Example: NCE-830L30BU1BN

LED Pendant - select one from each column

Catalog No.	Source	Color Temp. (Downlight)	Edge-Lit Color	Wattage	Finish
NCE-830	L = LED	30 = 3000K	BU = Blue	1 = 1W	BN = Brushed Nickel
			GR = Green	3 = 3W	BZ = Bronze
			R = Red		
			W = White		

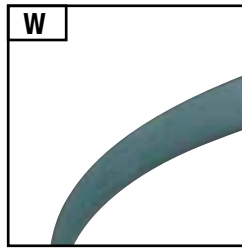
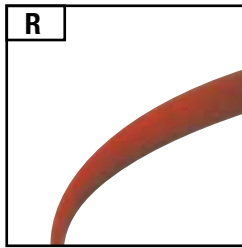
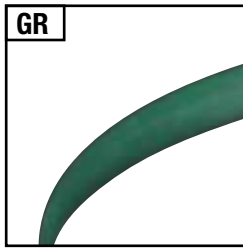
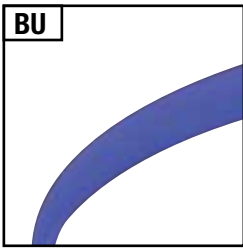
EDGE-LIT COLORS

1 Watt LED Pendant



LED Pendant - select one from each column

Catalog No.	Source	Color Temp. (Downlight)	Edge-Lit Color	Wattage	Finish
NCE-830	L = LED	30 = 3000K	BU = Blue	1 = 1W	BN = Brushed Nickel
			GR = Green		BZ = Bronze
			R = Red		
			W = White		



3 Watt LED Pendant



LED Pendant - select one from each column

Catalog No.	Source	Color Temp. (Downlight)	Edge-Lit Color	Wattage	Finish
NCE-830	L = LED	30 = 3000K	BU = Blue	3 = 3W	BN = Brushed Nickel
			GR = Green		BZ = Bronze
			R = Red		
			W = White		

