

January 2009

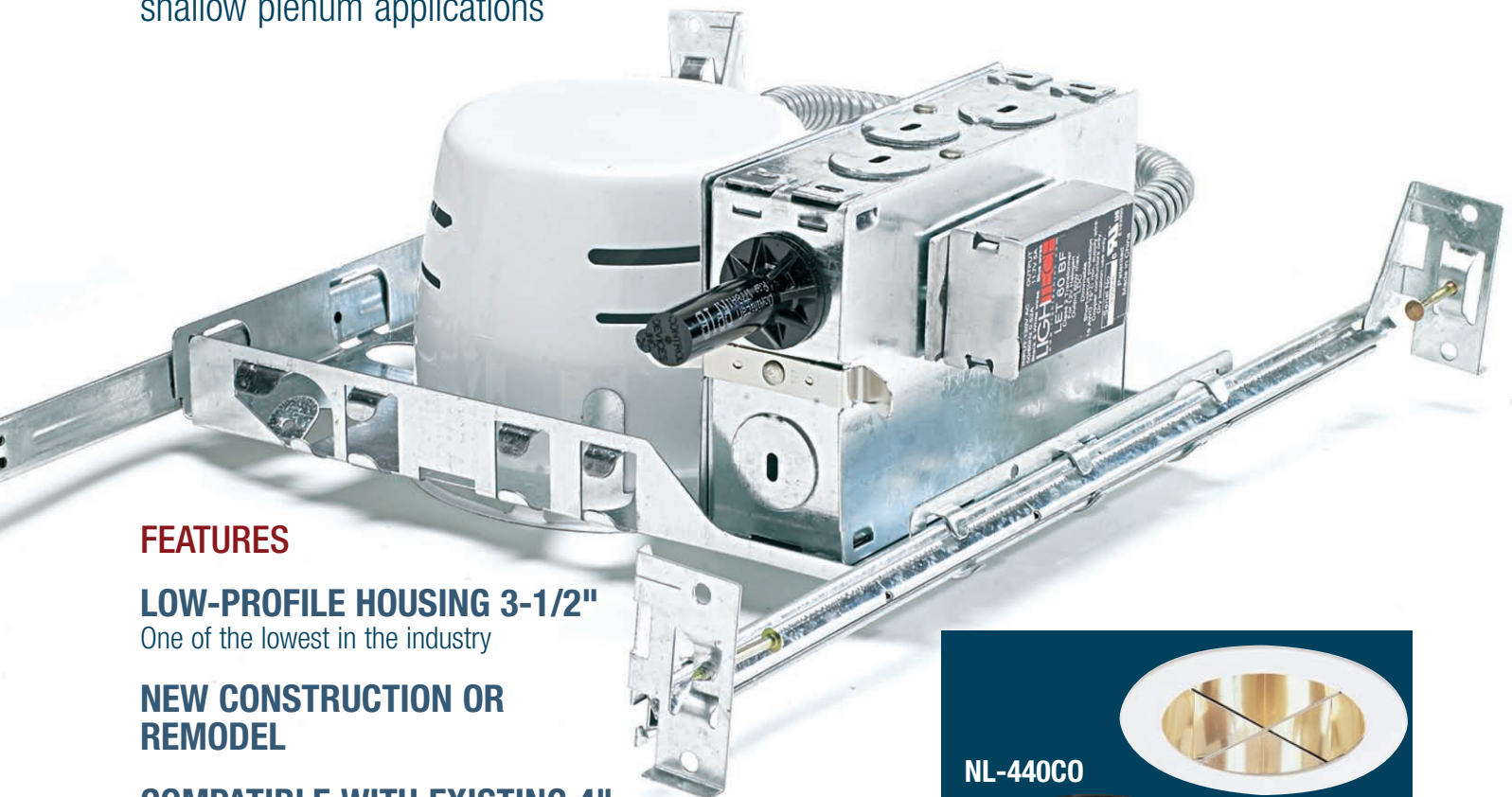
NORA NEWS

— NEW PRODUCT ANNOUNCEMENT —

4" SHALLOW HOUSING

LOW VOLTAGE DOWNLIGHT, 50W MR16 LAMP

New low profile housing for installation into shallow plenum applications



FEATURES

LOW-PROFILE HOUSING 3-1/2"

One of the lowest in the industry

NEW CONSTRUCTION OR REMODEL

COMPATIBLE WITH EXISTING 4" LOW VOLTAGE TRIMS*

EXTENSIVE SELECTION OF TRIMS

Adjustable, Shower, Wallwash

QUICK CONNECTORS

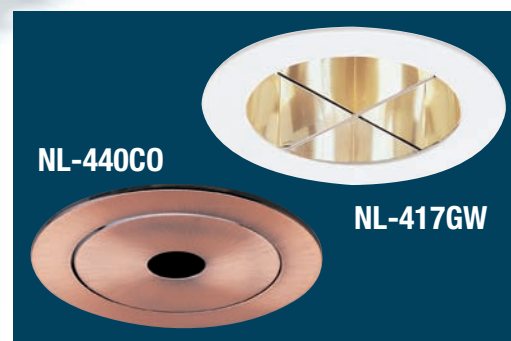
Provided for easy installation

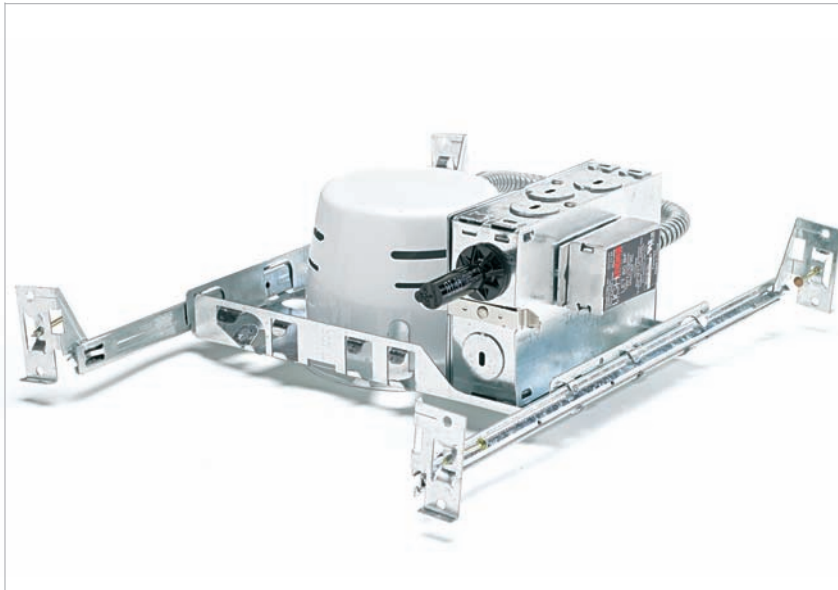
 **NORA**
LIGHTING®

6505 Gayhart St. Commerce, CA 90040

Tel. 800.686.6672 | Fax 800.500.9955

www.noralighting.com





NL-402S Series 4" Low Voltage Downlight Shallow Housing 50W



NLR-403S Series 4" Low Voltage Downlight Shallow Remodel Housing 50W

Nora Lighting's series of 4" low voltage shallow housings provides crisp, defined MR16 quartz halogen illumination to any application. A wide variety of attractive adjustable trims allows fine-tuned aiming of directional light sources.

Transformer: 50W 120V Magnetic (M) or Electronic (EL) Input 120V Input.

Lamp Types: 50W MR16.

Lamp Adjustment: Circular bracket on low voltage trims provides a secure snap-in hold and friction-locked aiming adjustment.

Dimming: Use magnetic low voltage dimming control with magnetic transformer or electronic low voltage dimming control with electronic transformer.

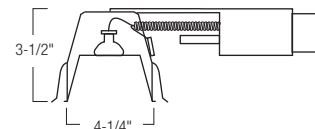
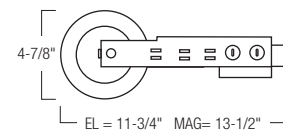
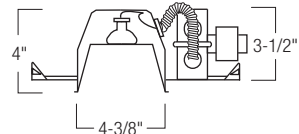
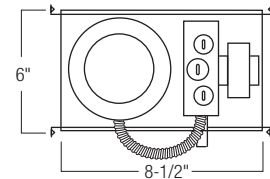
Installation: New Construction: Bar hangers are adjustable from 13-5/8" to 24-1/2" and can be repositioned 90 degrees

Remodel: High tension tempered steel springs secure remodel housings evenly to ceiling; hole cutout template provided for convenience.

Junction Box: New construction housing contains seven 7/8" knockouts and four Romex® pryouts with strain relief. Remodel housing contains six 7/8" knockouts and four Romex® pryouts with strain relief.

Electrical: Quick connector provided

Listing: UL listed for Damp Location.



PRODUCT MATRIX

Ordering Example: **NL-402S/1EL / NL-410**

Housing	Ballast					
	# of	Lamp	Magnetic	Electronic		Emergency
Cat. No.	Lamps	Wattage	120V	Electronic	Dimming	
NL-402S/1EL *	1	50	-	EL	-	NELK-50 **
NL-402S/1MAG *	1	50	M		-	
NLR-403S/1EL *	1	50	-	EL	-	
NLR-403S/1MAG *	1	50	M		-	

* Not compatible with the NL-468, NL-469, and NL-470 Trim.

** Must be powered by NEBU Series remote battery unit (ordered separately) for 12V emergency power system. Cannot be used with Dimming.