

4" IC Air Tight Compact Fluorescent Housings

Nora Lighting's family of 4" Economy Compact Fluorescent housings now offers both new construction and remodel versions that meet the strict California Title 24 Energy Code and are Energy Star compliant. These energy efficient housings are IC-rated for use in insulated ceilings and can be in direct contact with thermal insulation. Additionally, the NHPIC series meets Air-Tight (AT) standards.

13W, 18W or 26W 4-pin triple Biax lamps are available in warm to cool color temperatures. A variety of trims are available, including cone reflectors with baffle, shower trims and designer accents.

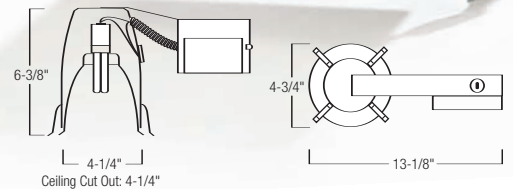
FEATURES:

- 13W - 26W 120V Electronic Air-Tight housing.
- Dimming ballast available.
- 13W-26W Electronic 4-Pin Quad or Triple lamp.
- Emergency back-up available.
- Deep housing creates excellent cut-off values for high-end residential and commercial applications.
- All gaskets are factory installed.
- UL Damp Location listed



committed to GREEN

Remodel IC/AT 13W to 26W!

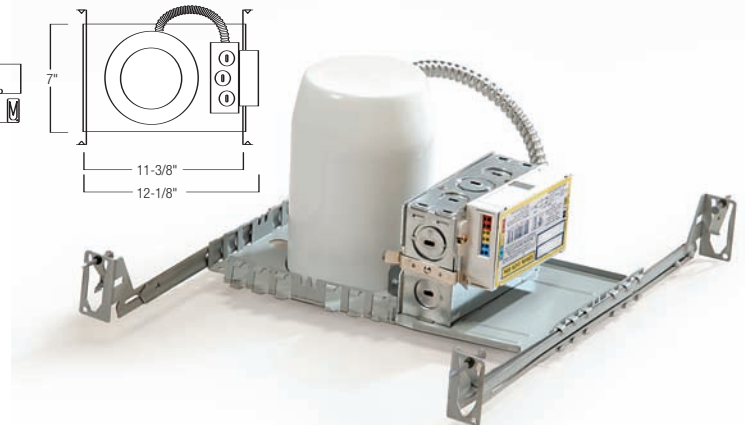
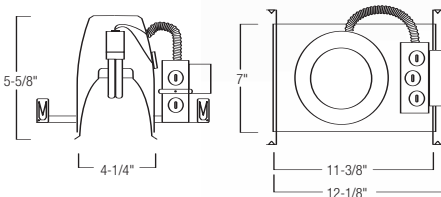


NHRPIC-413ELAT ■ ■ 4" 13W Compact Fluorescent Electronic Air-Tight IC Remodel

NHRPIC-418ELAT ■ ■ 4" 18W Compact Fluorescent Electronic Air-Tight IC Remodel



NHRPIC-426ELAT ■ ■ 4" 26W Compact Fluorescent Electronic Air-Tight IC Remodel



NHPIC-413ELAT ■ ■ 4" 13W Compact Fluorescent Electronic Air-Tight IC Housing

NHPIC-418ELAT ■ ■ 4" 18W Compact Fluorescent Electronic Air-Tight IC Housing

NHPIC-426ELAT ■ ■ 4" 26W Compact Fluorescent Electronic Air-Tight IC Housing

Optional Dimming

A variety of dimming ballast option are available in 13W-26W.

Each option requires a controller that is compatible. Specify suffix

- | | |
|-----|--|
| DAS | Advance AMBI STAR 120V (2-wire), residential 18W-26W |
| D10 | Universal Technologies 0-10V (4-wire), universal voltage (120V-277V) 13W-26W |
| MX1 | Advance Mark X, 120V (2-wire), (specify Wattage) 18W-26W |
| MX2 | Advance Mark X 277V (2-wire), (specify Wattage) 18W-26W |
| M7 | Advance Mark 7 (4-wire), universal voltage (120V-277V) 18W-26W |
| L51 | Lutron SE 5% 120V (3-wire), (specify Wattage) 18W-26W |
| L52 | Lutron SE 5% 277V (3-wire), (specify Wattage) 18W-26W |



4" IC Air Tight Compact Fluorescent Trims

New High Performance, Full Reflector

<p>NTS-4231G ■ Cone Reflector</p> <p>Finish: Reflector: B, C, G, W Ring: B, W Lamp: 13W-26W Quad/Triple OD: 5"</p>	<p>NEW!</p> 	<p>Natural Metal ■ NS-52N Copper ■ NS-53CO Reflector</p> <p>Finish: BZ, CO, N Lamp: 13W-26W Quad/Triple OD: 5"</p>
<p>NTS-4230B ■ Cone Reflector with Baffle</p> <p>Finish: Baffle: B, W Ring: B, W Lamp: 13W-26W Quad/Triple OD: 5"</p>	<p>NEW!</p> 	<p>NEW!</p> <p>■ NTS-4255CW Eyelid Wallwash Cone Reflector</p> <p>Finish: W Lamp: 13W-26W Quad/Triple OD: 5"</p>
<p>NTS-4223 ■ Cone Reflector with Fresnel Lens</p> <p>Finish: W, B, C, G, N, CO Lamp: 13W-26W Quad/Triple OD: 5"</p>	<p>NEW!</p> 	<p>NEW!</p> <p>Cone Reflector ■ NTS-4222 Shower Trim w/ Albalite Lens</p> <p>Finish: W, B, C, G, N, CO Lamp: 13W-26W Quad/Triple OD: 5"</p>
<p>NTS-4225 ■ Cone Reflector Shower Trim w/ Frosted Dome Lens</p> <p>Finish: B, C, CO, G, N, W Lamp: 13W-26W Quad/Triple OD: 5"</p>	<p>NEW!</p> 	<p>NEW!</p> <p>Cone Reflector ■ NTS-4226 Shower Trim with Flat Frosted Lens</p> <p>Finish: B, C, CO, G, N, W Lamp: 13W-26W Quad/Triple OD: 5"</p>
<p>NTS-4224 ■ Cone Reflector Shower Trim w/ Drop Opal Lens</p> <p>Finish: W, B, C, G, N, CO Lamp: 13W-26W Quad/Triple OD: 5"</p>	<p>NEW!</p> 	<p>NL-497W/PL Metropolitan Stepped</p> <p>Finish: Glass Blue, Frost, Pink Lamp: 13W-26W Quad/Triple OD: 5"</p>
<p>NL-495B/PL Metropolitan Moon</p> <p>Finish: Glass Blue, Frost, Pink Lamp: 13W-26W Quad/Triple OD: 5"</p>		<p>NL-496P/PL Metropolitan Stepped</p> <p>Finish: Glass Blue, Frost, Pink Lamp: 113W-26W Quad/Triple OD: 5"</p>

Trim finishes: **White, Black, Chrome, Gold, Natural Metal, Copper, BZ Bronze, BU Blue, Pink, Frost**
Over size and die-cast replacement rings are available

■ Title 24 compliant