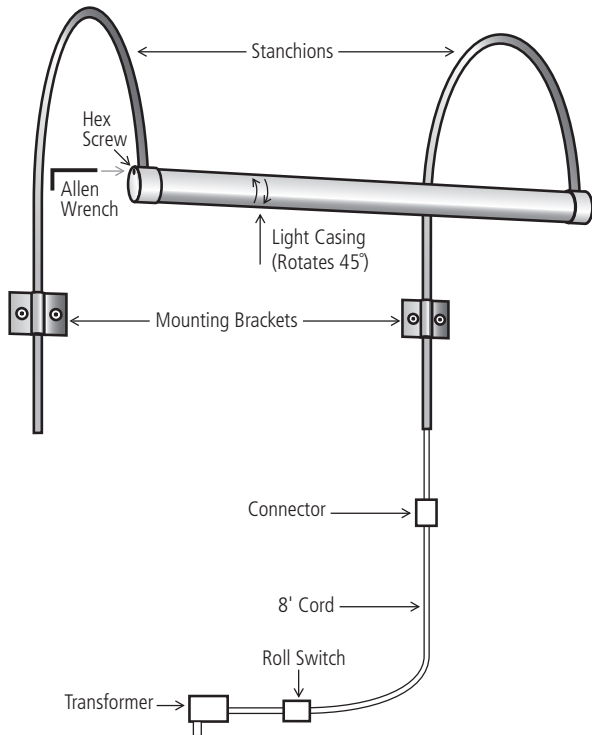


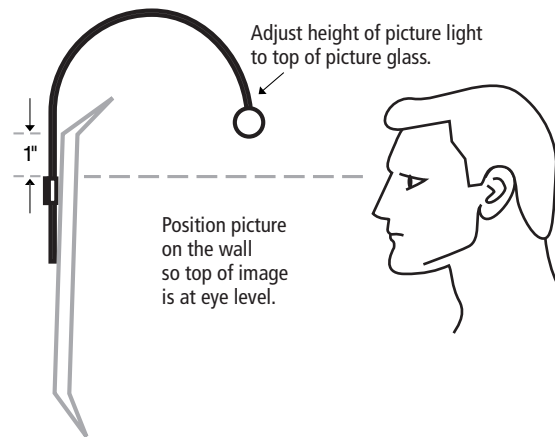
ASSEMBLY & MOUNTING INSTRUCTIONS

1. Remove Xenon Picture Light, mounting hardware, small Allen wrench, and transformer(s) from box.
2. Rotate Xenon Picture Light stanchions perpendicular to the light casing. With small Allen wrench, tighten the two small hex screws at the ends of the light casings onto the stanchions to secure a perpendicular position.



3. Read thoroughly the "Wiring Options" outlined on reverse side of instructions sheet. Locate the picture to be illuminated with regard to the wiring options.

4. You may secure the mounting brackets to the wall behind the picture, or if you have a wooden frame that will accommodate the mounting screws, to the picture frame.
5. In positioning the picture, and hence the Xenon Picture Light, most people like the top of the picture to be about even with the height of their eyes above the floor. Experiment with the height of the picture until you find a position you like. Mark this position on the wall. Position the mounting brackets centered on the wall in back of the picture about 1" below the top of the frame, or centered on the back top of the picture frame itself. Install the Xenon Picture Light in the brackets and snug, but do not tighten. Plug transformer into the connector on the Xenon Picture Light and rotate roll switch to illuminate the light.



6. To reduce the reflective glare from the bulbs on the glass front of the picture frame, adjust the height of the light casing to be just above the top of the glass. Experiment with this position until you

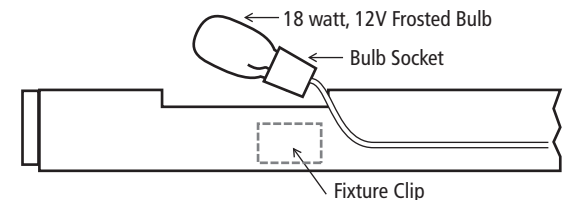
find a position closest to the top of the picture that does not produce a reflective glare. Tighten the brackets onto the stanchions at this location.

7. **Caution: Brass light casing is hot!**
The light casing rotates upward/downward a maximum of 45 degrees. Make sure casing is cool, or using a light pair of gloves, adjust the light casing to provide as even light as possible over the picture.

RELAMPING

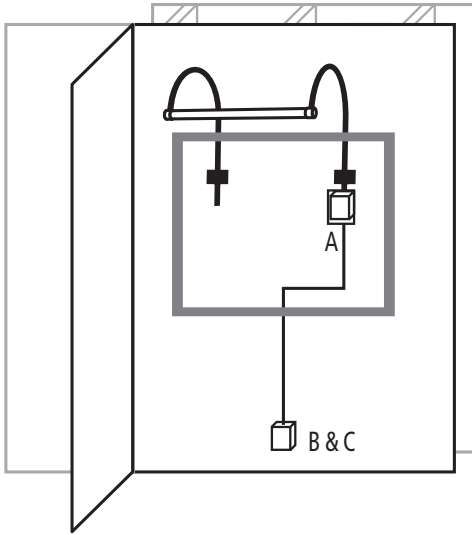
Warning: Risk of fire and burns. Do not use halogen type lamps with this product.

1. Make sure power is off to Xenon Picture Light. Allow the fixture to cool for 15 minutes.
2. Carefully remove bulb and bulb socket from clip holding both.
3. While holding bulb socket in one hand, remove bulb by pulling bulb directly outward from bulb socket. **Replace with frosted 18 watt, 12 volt, Xenon wedge based bulb type T only!** (Our model number XEN-12-18W/F.) Push bulb directly into socket until bulb base is firmly seated in bulb socket.
4. Replace bulb and bulb socket into fixture clip by firmly pushing socket into clip.



XENON PICTURE LIGHT WIRING OPTIONS

Wiring options that Completely hide the power cord:



A. Purchase our XPL Flush Mount Transformer Junction Box. Mount junction box and wire according to instructions. Cover junction box with included plastic cover allowing power arm of Xenon Picture Light to protrude into junction box.

Wiring options that completely cover the power cord:

B. Use optional "Wire Mold" to hide the cord from the edge of the picture to the 110v receptacle. Paint Wire Mold to match mounting wall. Place furniture, home decorations, or plants in front of Wire Mold.

Wiring options that partially cover the power cord:

C. Properly secure the power cord on the base board below picture. Bring cord up to picture in a straight line, usually in the middle of the frame. Paint cord to match mounting wall. Place furniture, home decorations, or plants in front of cord.

Warning: Dimmer, if used, must be electronic low-voltage dimmer.

INSTALLATION
INSTRUCTIONS

XENON PICTURE LIGHT

The New Benchmark
in Picture Illumination



- No harmful UV rays
-
- 10,000-hour bulb life
-
- Greater light output
-
- Solid brass construction
-
- Low voltage safety

NATIONAL SPECIALTY LIGHTING
ARCHITECTURAL AND DECORATIVE LIGHTING

LOUISVILLE, CO 80027

www.nslusa.com

© 2008 National Specialty Lighting

9/08

NSL
NATIONAL SPECIALTY LIGHTING

UL US
LISTED
Indoor Locations