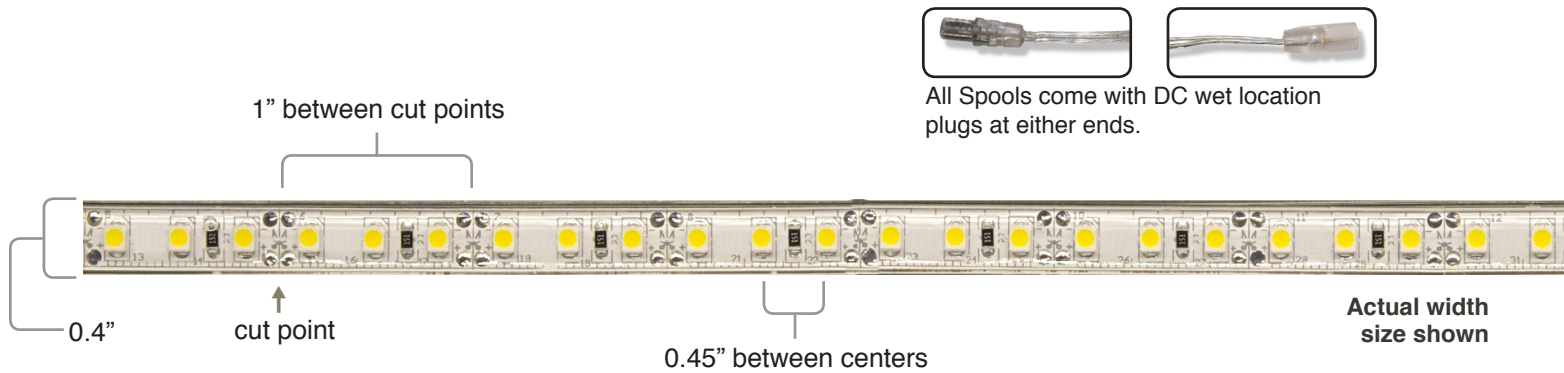


BLAZE WET LOCATION HIGH OUTPUT LED STRIP LIGHT

BLAZE Wet Location High Output Strip Light has twice as many LED chips as the FLUID VIEW Strip Light, so it offers twice the brightness. It has the same ultra-low profile as the FLUID VIEW strips, which means it will fit in almost any lighting installation. This flat strip is only a quarter inch high by a third of an inch wide, so it can be installed in many small or difficult locations.

Each spool comes with a pair of Waterproof Solder Connectors to connect the strip to a 12V hard-wired driver with multiple dimming options. This strip light is installed with the mounting accessories included with each spool (9 clips, 18 screws, 5 end caps, and 1 Waterproof Solder Connector Pair).

Note: Not recommended as submersible or for use in or around treated, chlorinated or salt water.



FEATURES

Input Voltage: 12V DC
Power Consumption per foot: 2.9W / 240mA
Rated Fixture Lumens per foot: 240
Luminous Efficacy: 83 lm/W
LED Chip Type: 3528 SMD
Chips per foot: 36
Field Cuttable: every 1 inch
LED Spacing: 0.3 in. (between centers)
Width: 0.4 in.
Height: 0.2 in.
Spool Length: 9.5 ft.
Max. Run: 19 feet (Two Spools)
** Each maximum run requires a dedicated line from the power supply to avoid voltage drop.*

Certifications: UL Component Listed
Dimmable: Yes
Environment: Indoor, outdoor, wet locations.
Warranty: 5 years (*limited*)
Operating Temp.: -22° - 103° F
Mounting: Wet location strip light mounting clips (DI-0754) sold separately
Rated Lamp Life: 50,000 hours
Connectors: Waterproof DC plug at both ends.



TECHNICAL SPECIFICATIONS

item #	length	color	color temp.	lumens / ft.	beam angle	power consumption / ft.	CRI	LEDs / ft.
DI-0160	9.5'	warm white	2700k	240	120°	2.9W / 240mA	75	36
DI-0161	9.5'	cool white	5000k	240	120°	2.9W / 240mA	80	36

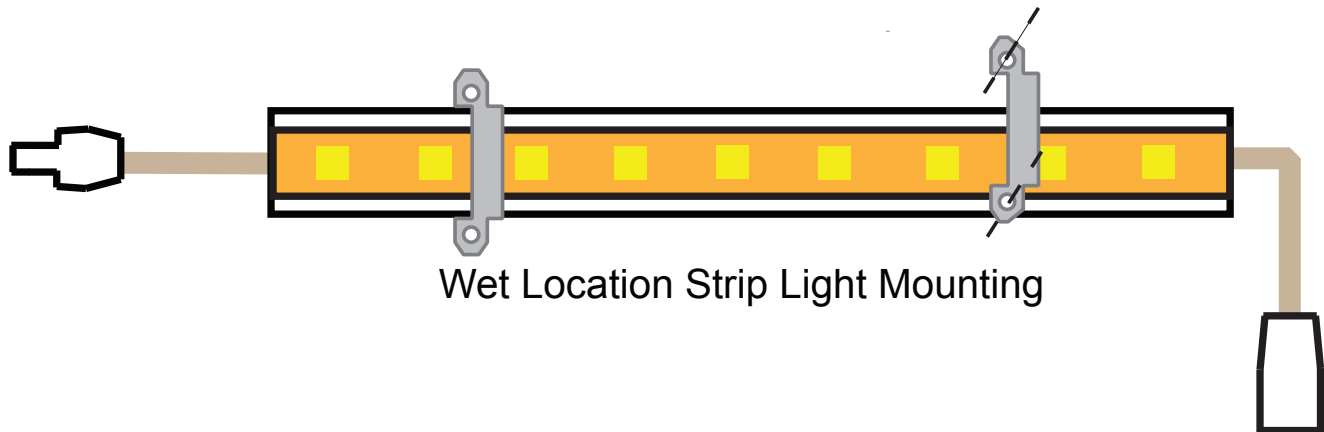
APPLICATIONS

- Kitchen cabinet, under cabinet, shelf, and case lighting
- Exhibit, presentation, and project lighting
- Close application task lighting
- Cove and interior accent lighting
- Shop windows, window displays, display case lights, and uplighting
- Light boxes and interior signage

IN USE PHOTO



MOUNTING



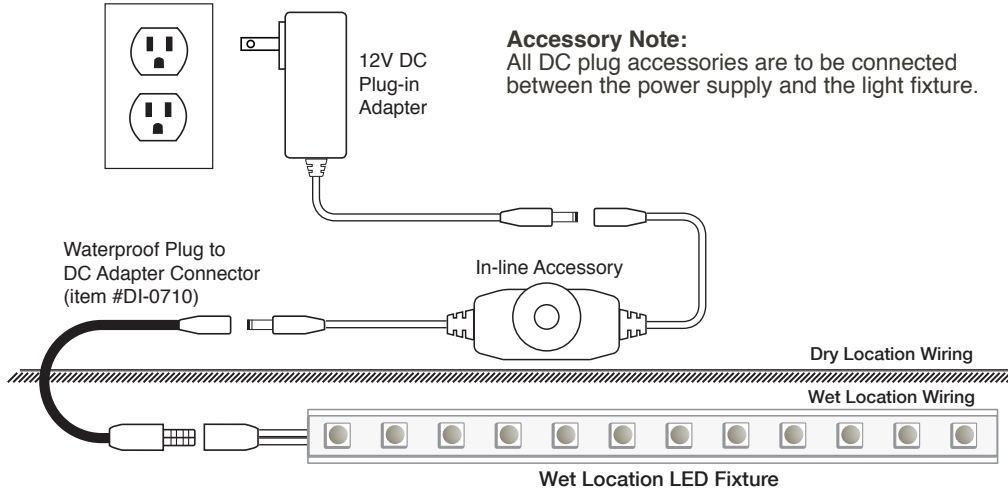
Wet Location Strip Light Mounting

Wet Location Strip Light Mounting Clips can be used two clips per foot, but more or less may be used depending on the installation.

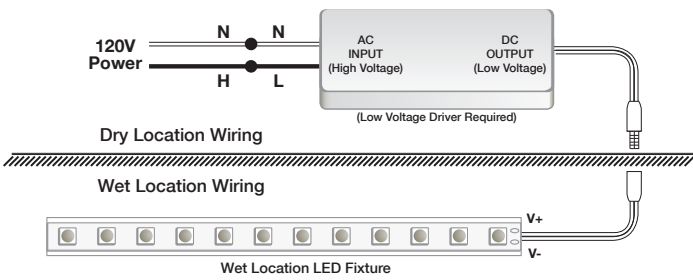


Additional Wet Location Strip Light Mounting Clips
(item #D1-0754) 0.9" x 0.2" x 0.2"
Qty of 10 clips and 20 Phillips head screws.
(9 clips, 18 screws, 5 end caps, and 1 Waterproof Solder Connector Pair are already included with each spool.)

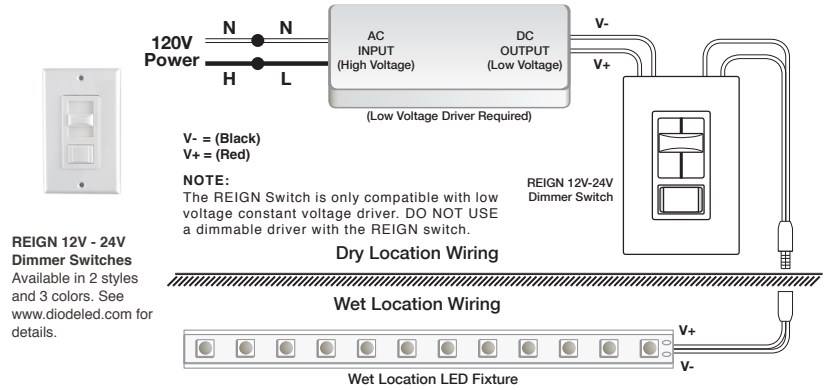
PLUG-IN ADAPTER WIRING DIAGRAM



HARDWIRE WIRING DIAGRAM

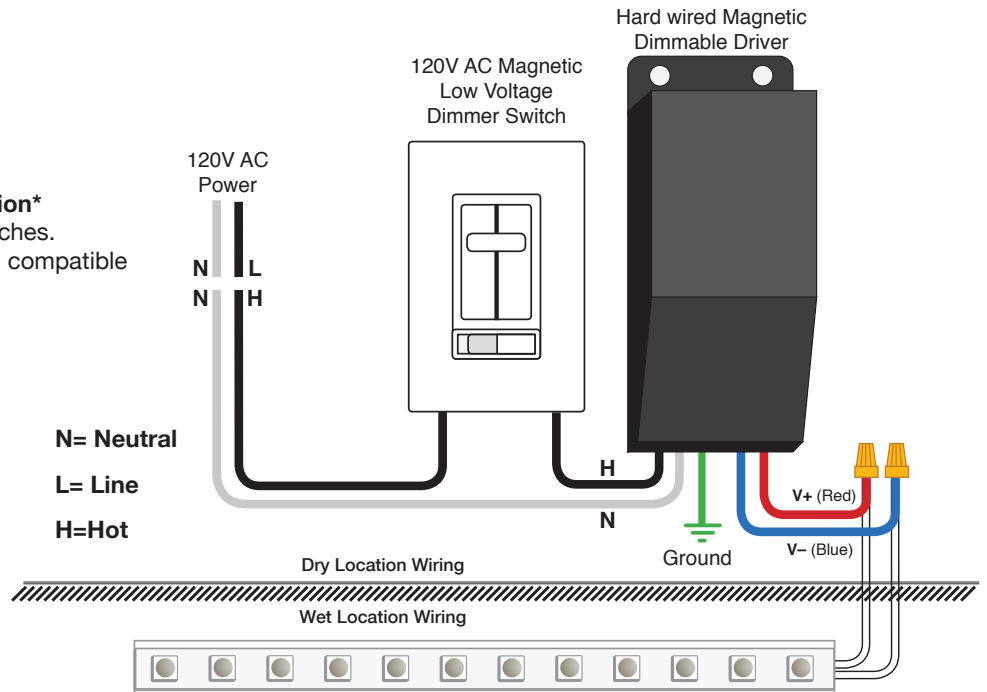


DIMMING WIRING DIAGRAM- REIGN 12V-24V DIMMER SWITCH



120V MAGNETIC LOW VOLTAGE DIMMER SWITCH WIRING DIAGRAM

Standard Dimmable Driver Configuration*
*Only use recommended 120V MLV dimmer switches. See the compatibility list for a detailed list of compatible dimmers.



WARNINGS

1. **Always** consult a qualified, licensed electrician prior to the installation of this product. Diode LED recommends that a qualified, licensed electrician perform the installation of this product.
2. **Always** pre-test your strip light assembly by making all connections and connecting the strip to a power supply and ensure that all components are joined properly before they are installed.
3. It is recommended that adequate airflow and heatsink be taken into account in the application and installation of this product. Improper thermal management may lead to premature failure.
4. Exceeding the operating temperature values may damage LED chips by reducing the total lamp life and lumen output, and inversely impact color consistency.
5. Each maximum run requires a dedicated line from the power supply to avoid voltage drop.
6. This product should only be cut at “cut points,” which are designated with a scissor icon.
7. “Voltage drop” is a gradual lessening of power through a wire over a long distance. The farther the light is from the power source, the more voltage drop will occur. Voltage drop becomes a significant factor in any LED light application when the distance between the lights and the power source is greater than 30 feet. Consult a licensed electrician and an online voltage drop calculator to learn what gauge wire will work best for your configuration. For more tips, visit the Tools & Resources section on www.DiodeLED.com.
8. The manufacturer rates each power supply for maximum power output at optimum thermal and voltage conditions. As with any power supply, true actual maximum continuous current output depends upon various environmental factors such as ambient temperature, line voltage fluctuations, and orientation that may affect heat dissipation. For optimum performance, make sure the load is between 50% and 80% of the total capacity of the power supply
9. Actual color may vary from what is pictured on this sheet and other Diode LED print materials due to the limitations of photographic processes.
10. LED products are continuously being improved upon in ever-shortening manufacturing cycles. LED color temperature (kelvin), lumen output, and product appearance can change from order to order. Please note that variation in color temperature (kelvin) is commonly +/- 250k and brightness (lumens) is +/- 10%.
11. Diode LED reserves the right to modify the design of our products as part of the company’s program of continuous improvement. Diode LED cannot guarantee to match existing installed product for subsequent orders or replace the product exactly to match the product you are replacing in product appearance, color, or brightness. Specifications are subject to change without notice.

WARRANTY

Limited Warranty: This product has a five (5) year limited warranty from the date of shipment. The complete warranty details are posted on the website at www.diodeled.com under the tools and resources tab. Specific warranty periods can also be found on the individual published Product Specification Sheets.

If you have any warranty related questions please contact Diode customer service at info@doideled.com or call (877) 817-6028.