

SUBMITTAL

JOB / PROJECT NAME _____	DATE _____
JOB TYPE _____	JOB LOCATION _____
SPECIFIER NAME _____	CATALOG NUMBER _____
CONTACT PHONE _____	OTHER _____
CONTACT EMAIL _____	_____

ULTRA BLAZE High Output LED Strip Light 24V

ULTRA BLAZE High Output Strip Light is a super bright LED strip that is 50% brighter than BLAZE High Output Strip Light and four times as bright as FLUID VIEW Strip Light. The ULTRA BLAZE High Output Strip Light is packed with high power 5050 tri-chip surface mount diode (SMD) LEDs that combine to make a brighter, more value-driven, and warmer light than any fluorescent or incandescent fixture.

This flat LED strip emits light in a 120° light beam angle. The BLAZE High Output Strip is packed with high power surface mount diode (SMD) LEDs that combine to make a brighter, cheaper, and warmer light than almost any fluorescent or incandescent fixture. There is no scalloping, just a completely even line of light.



FEATURES

Certifications: RoHS

Dimmable: yes

Environment: Indoor

Warranty: 5 years (limited)

Operating Temp.: -22° - 103° F

Mounting: 3M Adhesive Sticky Backing

Rated Lamp Life: 50,000 hours

Spool Length: 20 ft. / 100 ft.

Width: 0.4 in.

Height: 0.1 in.

Connectors: 20 ft. Spool = 12 in. DC plug on one end, 3 ft. 18/2 lead wires on the other end.

100 ft. spool = 3 ft. lead wires at both ends.

LED Chip Type: 5050 SMD

Chips per foot: 18

Power Consumption per foot: 4.4W / 24V 180mA

Rated Fixture Lumens per foot: 360 (ww), 360 (cw)

Luminous Efficacy: 15 lm/W

Field Cuttable: every 4 inches

LED Spacing: 0.65 in. (between centers)

Input Voltage: 24V DC

Max. Run: 40ft.

* Each maximum run requires a dedicated line from the power supply to avoid voltage drop.



TECHNICAL SPECIFICATIONS

item #	length	color	color temp.	lumens / ft.	beam angle	voltage	power consumption / ft.	CRI	LEDs / ft.
DI-0120	20'	warm white	2700k	360	120°	24V DC	4.4W / 180mA	75	18
DI-0014	100'	warm white	2700k	360	120°	24V DC	4.4W / 180mA	75	18
DI-0121	20'	cool white	5000k	360	120°	24V DC	4.4W / 180mA	80	18
DI-0015	100'	cool white	5000k	360	120°	24V DC	4.4W / 180mA	80	18

APPLICATIONS

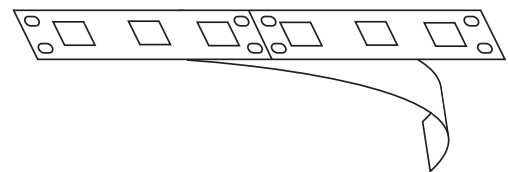
- Shop windows, window displays, and display case lights
- Light boxes, interior sign and signage light
- Display case lighting
- Exhibit, presentation, and project lighting
- Cabinet and shelf lighting
- Task lighting
- Indirect home lighting

In use photos



MOUNTING

Install the ULTRA BLAZE High Output Strip Light on a clean, dry surface by peeling the protective layer from the 3M™ adhesive backing and attaching the strip from one end, keeping it taut to prevent bumps and to ensure a straight installation.



Aluminum Channels (Sold Separately)

Strip Light Channels protect and provide light diffusion for ULTRA BLAZE LED Strip Light.

NOOK (45°) (item #DI-1052),
39.4" x 0.7" x 0.7"

ORB (round) (item #DI-1051),
39.4" x 0.7" x 0.6"

QUAD (square) (item #DI-1050),
39.4" x 0.6" x 0.5"

SLIM (low profile) (item #DI-1053),
39.4" x 0.6" x 0.24"

Strip Light Channel Cover 39.4" x 0.4"
Frosted (item #DI-1060), Clear (item #DI-1061)



WARNINGS

1. **Always** consult a qualified, licensed electrician prior to the installation of this product. Diode LED recommends that a qualified, licensed electrician perform the installation of this product.
2. **Always** pre-test your strip light assembly by making all connections and connecting the strip to a power supply and ensure that all components are joined properly before they are installed.
3. It is recommended that adequate airflow and heatsink be taken into account in the application and installation of this product. Improper thermal management may lead to premature failure.
4. Exceeding the operating temperature values may damage LED chips by reducing the total lamp life and lumen output, and inversely impact color consistency.
5. Each maximum run requires a dedicated line from the power supply to avoid voltage drop.
6. This product should only be cut at “cut points,” which are designated with a scissor icon.
7. “Voltage drop” is a gradual lessening of power through a wire over a long distance. The farther the light is from the power source, the more voltage drop will occur. Voltage drop becomes a significant factor in any LED light application when the distance between the lights and the power source is greater than 30 feet. Consult a licensed electrician and an online voltage drop calculator to learn what gauge wire will work best for your configuration. For more tips, visit the Tools & Resources section on www.DiodeLED.com.
8. The manufacturer rates each power supply for maximum power output at optimum thermal and voltage conditions. As with any power supply, true actual maximum continuous current output depends upon various environmental factors such as ambient temperature, line voltage fluctuations, and orientation that may affect heat dissipation. For optimum performance, make sure the load is between 50% and 80% of the total capacity of the power supply.
9. Actual color may vary from what is pictured on this sheet and other Diode LED print materials due to the limitations of photographic processes.
10. LED products are continuously being improved upon in ever-shortening manufacturing cycles. LED color temperature (kelvin), lumen output, and product appearance can change from order to order. Please note that variation in color temperature (kelvin) is commonly +/- 250k and brightness (lumens) is +/- 10%.
11. Diode LED reserves the right to modify the design of our products as part of the company’s program of continuous improvement. Diode LED cannot guarantee to match existing installed product for subsequent orders or replace the product exactly to match the product you are replacing in product appearance, color, or brightness. Specifications are subject to change without notice.

WARRANTY

5 Year Limited Products and Services Warranty. Diode LED warrants that all products are free from manufacturing defects in material and workmanship under normal use and service for a period of **five years** from the date of original shipment. Claimant must furnish proof of date of purchase. Diode LED will repair or replace product, at Diode’s discretion, or may opt to reimburse the purchase price if that is infeasible. Diode LED’s sole liability with respect to any defect shall be for the replacement of the defective products. No one is authorized to make any other warranties on behalf of Company, or modify this warranty, except in a separate written paper document under signature of a corporate officer of Company then-listed with the California Secretary of State. Diode LED will not be liable for repairing damages or failures caused by acts of God, abuse, abnormal usage, use or application for which the products are not intended. The foregoing shall constitute Diode LED’s sole warranty and sole liability, and is in lieu of any other warranties whether written, oral, implied, or statutory. Some states and provinces do not allow the limitation of exclusion or limitation or incidental or consequential damages and some states do not allow limitations on how long an implied warranty lasts, so the limitations or exclusions may not apply. This warranty gives its beneficiaries specific legal rights, and beneficiaries may have other rights, which vary from state to state, and province and province. COMPANY WILL NOT BE LIABLE FOR INCIDENTAL OR CONSEQUENTIAL DAMAGES ARISING OUT OF OR IN CONNECTION WITH THE USE OR PERFORMANCE OF THE GOODS OR SERVICES OR OTHER INDIRECT DAMAGES WITH RESPECT TO LOSS OF PROPERTY, REVENUES, LIFE OR LIMB, PERSONAL INJURY, AND CLAIMANT’S REMEDIES SHALL BE LIMITED TO REPAIR OR REPLACEMENT OF NONCONFORMING GOODS OR SERVICES.

OPTION 1: Powering with Hard-Wired Indoor/Outdoor Non-Dimmable Drivers



- 24V - 96 Watt (item #DI-0954) 8" x 2.75" x 1.4" cable lengths: 10"
- 24V - 200 Watt (item #DI-0957) 8.5" x 4.52" x 2"
- 24V - 320 Watt Hard-Wired (item #DI-0958) See website for specifications.

CONNECTORS for ULTRA BLAZE High Output Strip Light



ULTRA BLAZE Bending Extension

- 3 in. (item #DI-0733)
- 2 ft. (item #DI-0795)
- 4 ft. (item #DI-0796)
- 6 ft. (item #DI-0797)
- 8 ft. (item #DI-0798)

Connects non-waterproof single color ULTRA BLAZE High Output Strip Light sections with a flexible joint with a bending range of 0° - 180°.



ULTRA BLAZE Strip-to-Strip Connector

(item #DI-0740) 0.7" x 0.4" x 0.1"
Connects sections of non-waterproof single color ULTRA BLAZE High Output Strip Light.



ULTRA BLAZE Splice Connector

- 3.4" (item #DI-0735)
 - Qty of 25 (item #DI-0735-25)
 - Qty of 50 (item #DI-0735-50)
- 2 ft. (item #DI-0736)
 - Qty of 25 (item #DI-0736-25)
 - Qty of 50 (item #DI-0736-50)
- 4 ft. (item #DI-0737)
 - Qty of 25 (item #DI-0737-25)
 - Qty of 50 (item #DI-0737-50)
- 6 ft. (item #DI-0738)
 - Qty of 25 (item #DI-0738-25)
 - Qty of 50 (item #DI-0738-50)
- 8 ft. (item #DI-0739)
 - Qty of 25 (item #DI-0739-25)
 - Qty of 50 (item #DI-0739-50)

Connector for Hard-Wired installations.

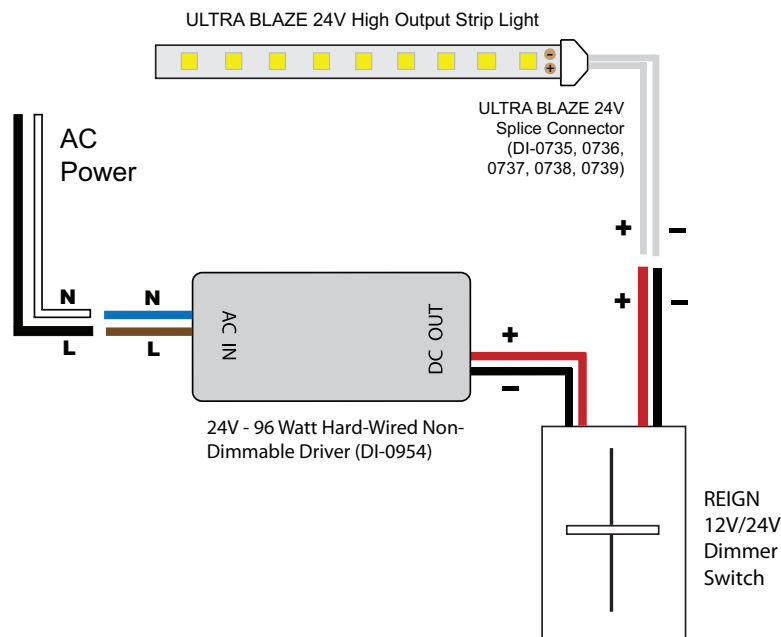
DIMMING



REIGN 12V - 24V Dimmer Switches

Available in 3 styles and 3 colors
See www.diodeled.com for details.

WIRING DIAGRAMS



OPTION 2: Powering with Hard-Wired Indoor/Outdoor Dimmable Drivers



- 24V - 96W (item #DI-0956) 6.5" x 2.6" x 2.25"
- 24V - 200W (item #DI-0959) See website for specifications.
- 24V - 300W (item #DI-0960) See website for specifications.

CONNECTORS for ULTRA BLAZE High Output Strip Light

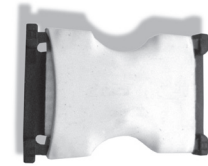


- ULTRA BLAZE Splice Connector**
- 3.4" (item #DI-0735)
 - Qty of 25 (item #DI-0735-25)
 - Qty of 50 (item #DI-0735-50)
 - 2 ft. (item #DI-0736)
 - Qty of 25 (item #DI-0736-25)
 - Qty of 50 (item #DI-0736-50)
 - 4 ft. (item #DI-0737)
 - Qty of 25 (item #DI-0737-25)
 - Qty of 50 (item #DI-0737-50)
 - 6 ft. (item #DI-0738)
 - Qty of 25 (item #DI-0738-25)
 - Qty of 50 (item #DI-0738-50)
 - 8 ft. (item #DI-0739)
 - Qty of 25 (item #DI-0739-25)
 - Qty of 50 (item #DI-0739-50)

Connector for Hard-Wired installations.

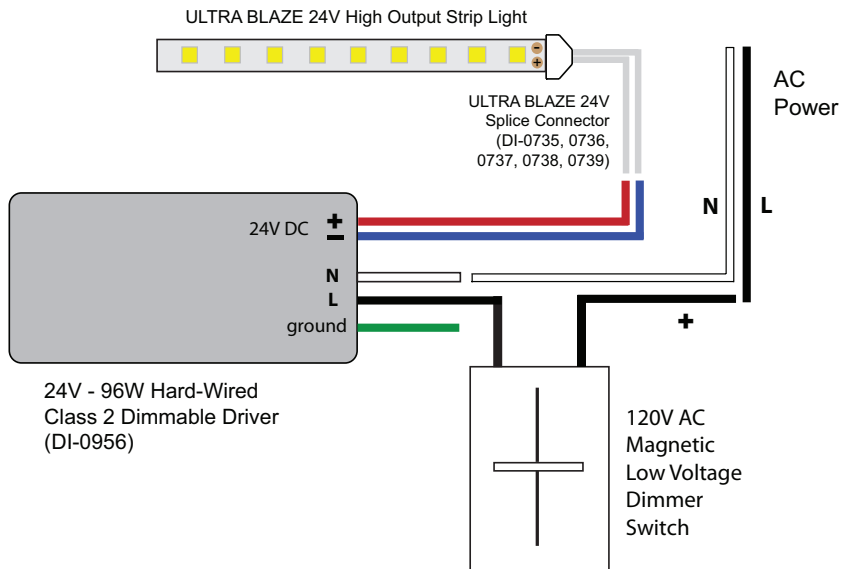


- ULTRA BLAZE Bending Extension**
- 3 in. (item #DI-0733)
 - 2 ft. (item #DI-0795)
 - 4 ft. (item #DI-0796)
 - 6 ft. (item #DI-0797)
 - 8 ft. (item #DI-0798)
- Connects non-waterproof single color ULTRA BLAZE High Output Strip Light sections with a flexible joint with a bending range of 0° - 180°.



- ULTRA BLAZE Strip-to-Strip Connector**
(item #DI-0740) 0.7" x 0.4" x 0.1"
- Connects sections of non-waterproof single color ULTRA BLAZE High Output Strip Light.

WIRING DIAGRAMS



For a list of compatible dimmer switches, visit www.DiodeLED.com.

OPTION 3: Powering with Indoor Plug-In Adapters



24V - 96 Watt (item #DI-0955) 4.7" x 2" x 1.2"
total cable length: 108"

CONNECTORS for ULTRA BLAZE High Output Strip Light



Inline Dimmer Switch
(DI-0715) 2.6" x 1.4" x 1.3"
Allows you to dim the ULTRA BLAZE High Output Strip Light.
24W Maximum load



REIGN 12V Dimmer Switches
Available in 3 styles and 3 colors
See www.diodeled.com for details.



Inline On/Off Switch
(item #DI-0714) 9" x 2.5"
This 12V switch with male and female plugs connects directly to any fixtures and accessories with DC plugs.
60W Maximum load



Inline Motion Sensor Switch
(item #DI-0763) 2" x 0.8", Cables: 7"
An automatic movement sensor switch that is activated by any motion within 6 feet.



ULTRA BLAZE DC Plug Connector
(item #DI-0721) 5.4" x 0.4"
Connects non-waterproof single color ULTRA BLAZE High Output Strip Light to a Plug-In Adapter.



12V Adapter Splice Cable - male
(DI-0712M) 42" x 0.45"



1 Meter DC Extension Cable
(item #DI-0708) 40" x 0.5"
Creates an extension between any fixtures or accessories that use DC plugs.



ULTRA BLAZE Bending Extension

3 in. (item #DI-0733)

2 ft. (item #DI-0795)

4 ft. (item #DI-0796)

6 ft. (item #DI-0797)

8 ft. (item #DI-0798)

Connects non-waterproof single color ULTRA BLAZE High Output Strip Light sections with a flexible joint with a bending range of 0° - 180°.



2-Way DC Splitter (DI-0720) 5.7" x 0.4"

3-Way DC Splitter (DI-0705) 8" x 0.6"

5-Way DC Splitter (DI-0707) 8" x 0.6"

Allows several fixtures with DC plugs to be powered by the same source.



ULTRA BLAZE Strip-to-Strip Connector

(item #DI-0740) 0.7" x 0.4" x 0.1"

Connects sections of non-waterproof single color ULTRA BLAZE High Output Strip Light.

WIRING DIAGRAMS

